



Project Name _____ Date _____

Type or Model _____ Qty _____

AL14B Up Lights



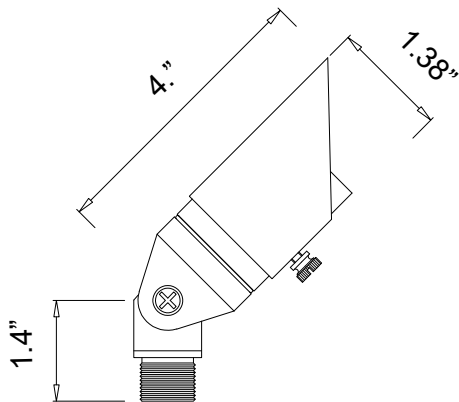
72" wire lead

IP65

MR8 Fixture

DESCRIPTION

This mini MR8 spotlight is to place in garden planters, small garden beds, and other niche areas. A removeable and adjustable glare shield allows the installer to precisely control the light so it can reduce direct glare for a more pleasant viewing experience.



SPECIFICATIONS & FEATURES:

- Solid cast brass construction
- Machined brass thumb screw
- Specification grade, beryllium copper socket
- Premium grade direct burial cable
- Anti-Moisture Connections
- 25W max. halogen
- Light Bronze standard finish
- Limited lifetime warranty

