



Project Name _____ Date _____

Type or Model _____ Qty _____

UWL01B Underwater Lights



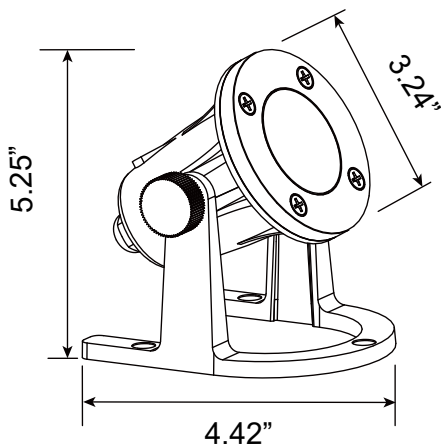
24' wire lead

IP68

MR16 Fixture

DESCRIPTION

Designed to provide water lighting solutions, the UWL01B is ideal for uplighting a variety of elements, from fountains to waterfalls and rock structures. The die cast brass shroud is a standard accessory, with a tightly sealed clear lens that allows for maximum light output for various beam spread.



SPECIFICATIONS & FEATURES:

- Solid cast brass construction
- Specification grade, beryllium copper socket
- Premium grade SEOOW cable
- Waterproof Connections
- 50W max. halogen
- Submersible in depths up to 3"
- Bronze standard finish
- Limited lifetime warranty

